

ADDITIONAL LOCKING DEVICES

for automated windows with multiple locking points

In accordance with the standards related to energy saving, water- and airtightness of the windows has become even more important, requiring hardware systems with multiple locking points.

In case of window automation it is necessary to complement the chain actuator with a further actuator, able to operate in a transversal way the window hardware, in order to engage multiple locking points on the frame.

UCS provides two solutions for this purpose: E-LOCK and Plusultra

E-LOCK

electric actuator to be installed inside the frame of the window

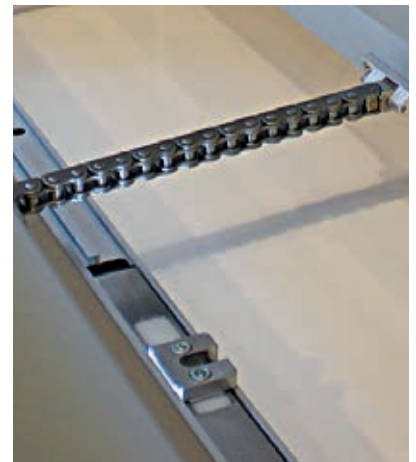


Electrical connector

E-LOCK is a linear drive designed to lock the window hardware and ensure, in combination with a chain actuator, the best window closing tightness.

E-LOCK can be integrated into the window profile or on the profile, connected to the window hardware through a slot (please, contact our Technical Department). It has been designed to be used in combination with electric chain actuators series QUASAR, VEGA and NANO 24 Vdc.

- Stainless steel case.
- The locking plate can be mounted on both side of the drive.
- Provided with an emergency unlocking mechanism.
- Different strokes and directions can be selected by internal switches.
- Available a version to be used with BMSline actuators for the direct connection to a Building Management System network.
- Available on request E-LOCK F-SIGNAL version that provides lock/unlock feedback signal
- It is possible to install two E-LOCK drives (in F-SIGNAL version) on one window: contact our Technical Department for the special configuration



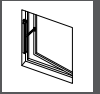
Suitable for installation on **Smoke and Heat Exhaust Ventilators (SHEV)** in conformity to European Standard **EN 12101-2**, tested by Istituto Giordano.

	E-LOCK	E-LOCK BMS
POWER SUPPLY	24 Vdc ± 10%	24 Vdc ± 10%
OPERATION	polarity inversion	via BUS line
STROKE selectable by switches	19 mm - 38 mm	19 mm - 38 mm
FORCE (push and pull)	600 N	600 N
SPEED (full load)	~1,6 mm/s	~1,6 mm/s
CURRENT ABSORPTION (max load)	0,3 A	0,3 A
PARALLEL CONNECTION	Yes	Yes
LIMIT STOP	Hall sensor	Hall sensor
SAFETY STOP	Electronic	Electronic
PROTECTION CLASS	IP32	IP32
BMS Compatible	No	Yes
PART No.	41588I	41589J

Installation examples



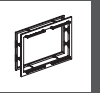
Top hinged window



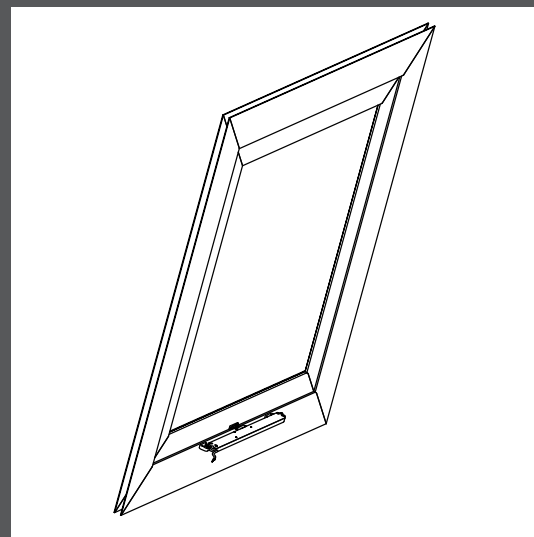
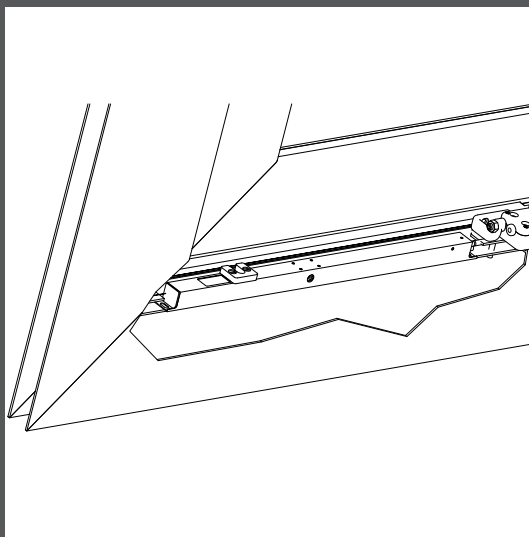
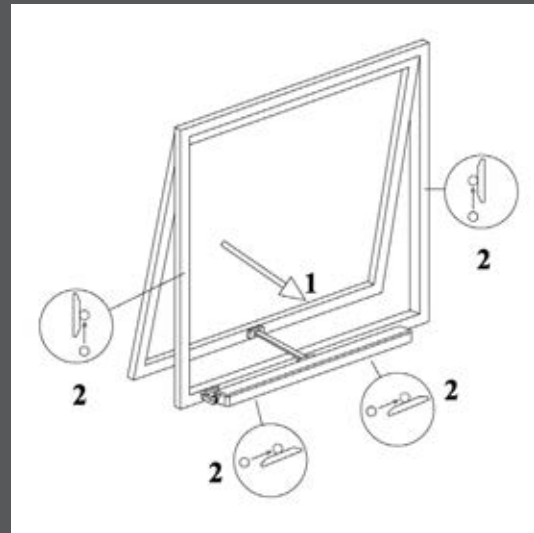
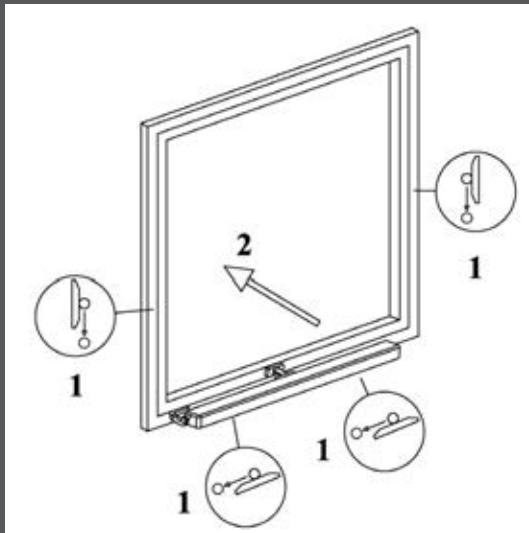
Side hinged windows



Roof windows



Parallel windows



Operating logic

E-LOCK

Opening: the E-LOCK actuator unlocks the hardware and, only after the complete release, the power is supplied to the chain actuator for the window opening.

Closing: the E-lock actuator remains in the unlock position until the fully closing operation of the chain actuator, and then locks the window hardware.

The sequence of the operations happens in two ways:

- delay, selectable by dip switches
- feedback signal, from microswitches or magnetic contacts installed on the window or signal coming from UCS chain actuators in "F-Signal" versions.

E-LOCK BMS

E-LOCK BMS communicates via BUS line with chain actuators BMSline, whose electronic board manages the feedback information and checks the locking or unlocking status of the hardware.

Accessories



Emergency unlocking tool part. No. 41596Q

Actuator dimensions

