



TWIN QUASAR and TWIN VEGA

Chain actuator with encoder

Twin Quasar : Force 600 N - Maximum stroke 500 mm

Twin Vega: Force 600 N - Maximum stroke 300 mm

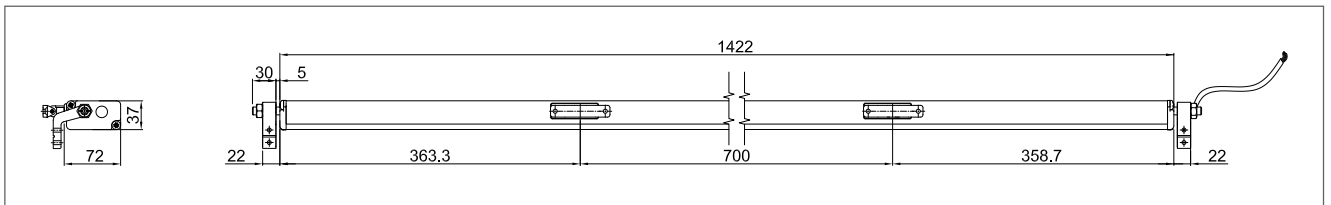


- Chains in double stainless steel links.
- The control electronic circuit synchronizes the speed of the motors through encoder.
- Anodized (silver) or painted (white or black) aluminium casing.
- The manual closing position regulation is not required: the stop in closing position is regulated by an electronic limit switch.
- Being provided with two chains, both **TWIN QUASAR** and **TWIN VEGA** are particularly suitable for very wide windows.
- For a better aesthetic result, on request, it is possible to supply actuators with customized distance between the chains (minimum 700 mm for **TWIN QUASAR** and 480 mm for **TWIN VEGA**) in order to get same width of the window.
- Supplied with 3 m cable and pivoting brackets.
- The installation without brackets is possible only if the height of the vent is at least 1500 mm for **TWIN QUASAR** and 900 mm for **TWIN VEGA**.
- **TWIN QUASAR DC F-SIGNAL** and **TWIN VEGA DC F-SIGNAL** are special versions with opening and closing feedback signal (free potential, maintained contact), activated by the current limit.
- In case of Building Management System avoid repetitive commands in the same direction. For further information contact our Tech. Dept.
- In case of vents with four-bar hinges, please contact our Technical Dpt.
- If installed on PVC windows, the profile has to be reinforced.
- Version available on request: 
- For a higher resistance against atmospheric agents, it is available on request the Twin Quasar DC version with protection class **IP42**.
-  Available the version Twin Quasar / Twin Vega BMSline with programmable features (stroke, speed, force, ...) and different scenarios selectable with a connection to a computer and dedicated software. See BMSline section.
- 24 Vdc version is suitable for installation on **Smoke and Heat Exhaust Ventilators (SHEV)** in conformity to European Standard **EN 12101-2**

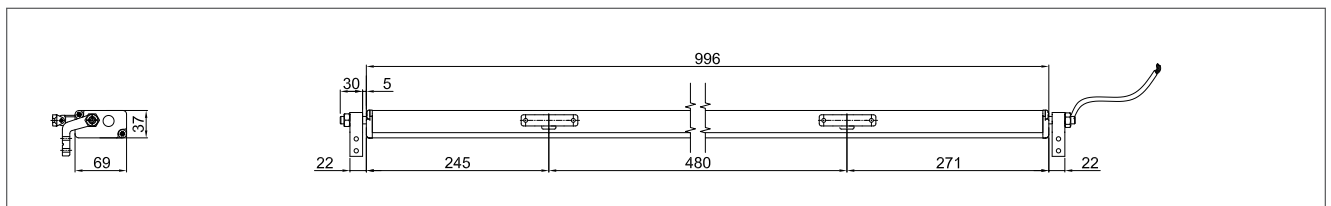


	TWIN QUASAR AC	TWIN QUASAR DC	TWIN QUASAR DC F-SIGNAL	TWIN VEGA DC	TWIN VEGA DC F-SIGNAL
VOLTAGE SUPPLY	100 Vac - 240 Vac	24 Vdc ±10%	24 Vdc ±10%	24 Vdc ±10%	24 Vdc ±10%
ELECTRIC CONNECTION	3 wires + earth	2 wires	2+3 wires	2 wires	2+3 wires
OPERATION		by polarity inversion	by polarity inversion	by polarity inversion	by polarity inversion
STROKE	500 mm	500 mm	500 mm	300 mm	300 mm
FORCE (push and pull action)	600 N	600 N	600 N	600 N	600 N
SPEED	~ 15 mm/s	~ 15 mm/s	~ 15 mm/s	~ 9 mm/s	~ 9 mm/s
CURRENT ABSORPTION (with max load)	0,9 A - 0,4 A	1,8 A	1,8 A	1,4 A	1,4 A
PARALLEL CONNECTION	YES	YES	YES	YES	YES
LIMIT STOP	Electronic	Electronic	Electronic	Electronic	Electronic
SAFETY STOP	Electronic	Electronic	Electronic	Electronic	Electronic
FEEDBACK SIGNAL			Open/close		Open/close
PROTECTION CLASS	IP 40	IP 40	IP 40	IP 30	IP 30
Part No.					
SILVER ANODIZED	40989D	40992G	41310C	41245P	41313F
BLACK RAL 9005	40990E	40993H	41311D	41246Q	41314G
WHITE RAL 9010	40991F	40994I	41312E	41247R	41315H

TWIN QUASAR AND TWIN VEGA

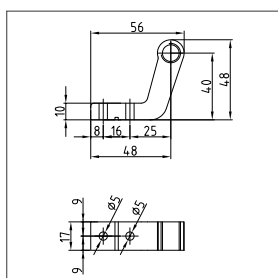
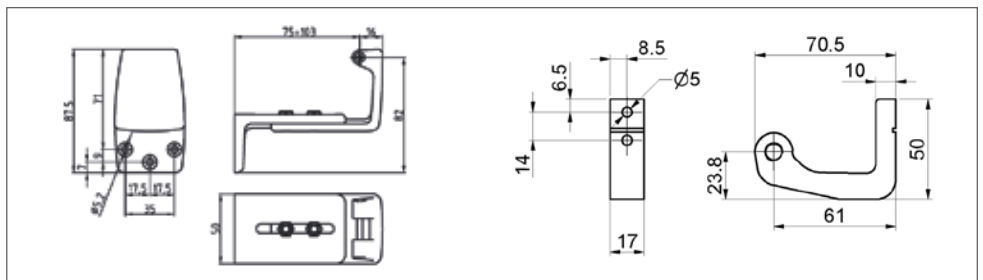


Twin Quasar dimensions



Twin Vega dimensions

Accessories

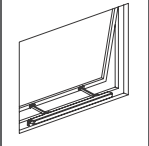


Pivoting brackets kit (2 pcs included)

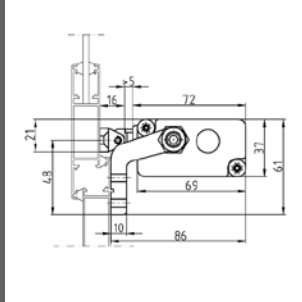
Brackets kit for bottom hinged windows:
 GREY anodized aluminium part No 41715F
 BLACK painted RAL 9005 part No 41716G
 WHITE painted RAL 9010 part No 41717H



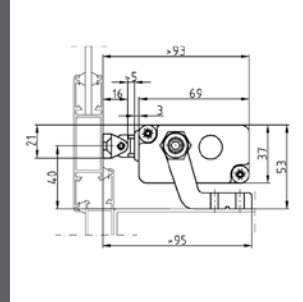
Installation examples



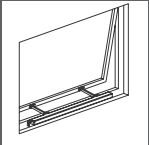
Top hinged windows Twin Quasar



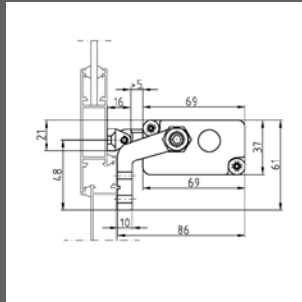
On the frame with pivoting brackets included



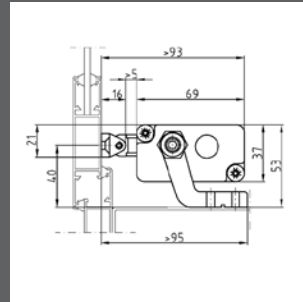
On windowsill with pivoting brackets included



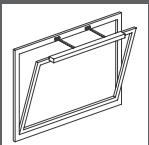
Top hinged windows Twin Vega



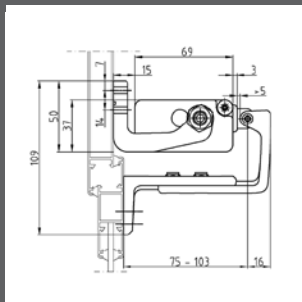
On the frame with pivoting brackets included



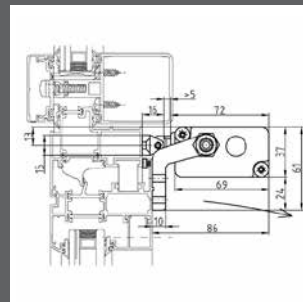
On windowsill with pivoting brackets included



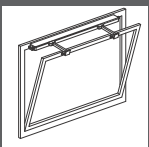
Bottom hinged windows Twin Quasar



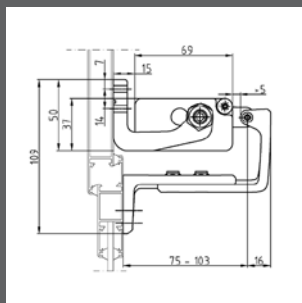
On the frame with brackets for bottom hinged windows



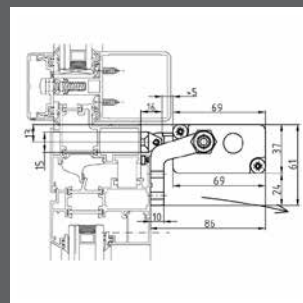
On the vent with pivoting brackets included



Bottom hinged windows Twin Vega



On the frame with brackets for bottom hinged windows



On the vent with pivoting brackets included

⚠ The instructions for a safe installation are included in the section "SECURITY WARNINGS"

SPECIFICATION PROSPECT

Electric chain actuator Ultraflex Control Systems named Twin Quasar with two chains in double stainless steel links and electronic circuit for the two internal motors control. Force 600 N. Stroke 500 mm. Voltage supply 100-240 Vac or 24 Vdc. Electronic limit stop and electronic stop in the intermediate positions in case of overload. Pivoting brackets included. Parallel connection. Aluminium casing anodized or painted. Conform to 2006/95/CE and 2004/108/CE directives (the 24 Vdc version is conform to 2004/108/CE directive).

Electric chain actuator Ultraflex Control Systems named Twin Vega with two chains in double stainless steel links and electronic circuit for the two internal motors control. Force 600 N. Stroke 300 mm. Voltage supply 24 Vdc. Electronic limit stop and electronic stop in the intermediate positions in case of overload. Pivoting brackets included. Parallel connection. Aluminium casing anodized or painted. Conform to 2004/108/CE directive.