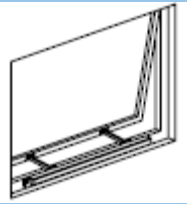
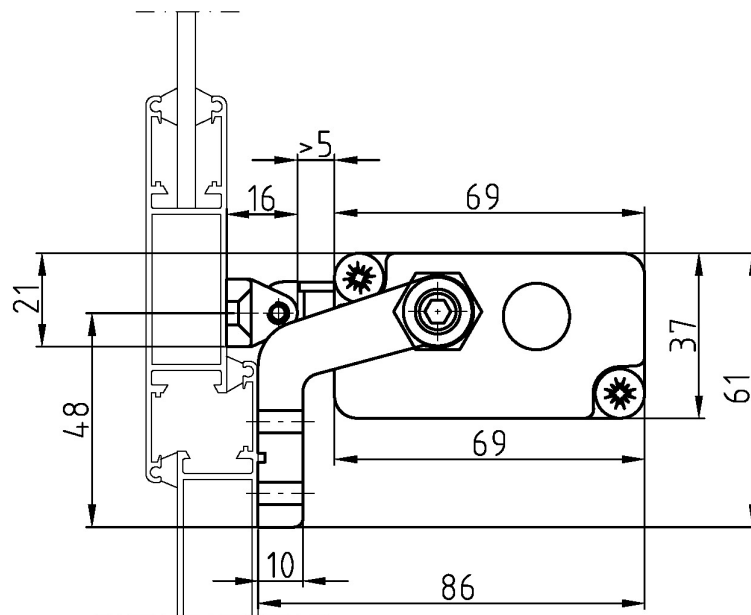


TWIN VEGA

ATTUATORE ELETTRICO A CATENA – FORZA 600 N – CORSA 300 mm
ELECTRIC CHAIN ACTUATOR – FORCE 600 N – STROKE 300 mm
BOITIER A CHAÎNE ELECTRIQUE – FORCE 600 N – COURSE 300 mm



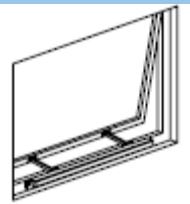
SPORGERE
TOP HINGED WINDOW
CHÂSSIS PROJETANT



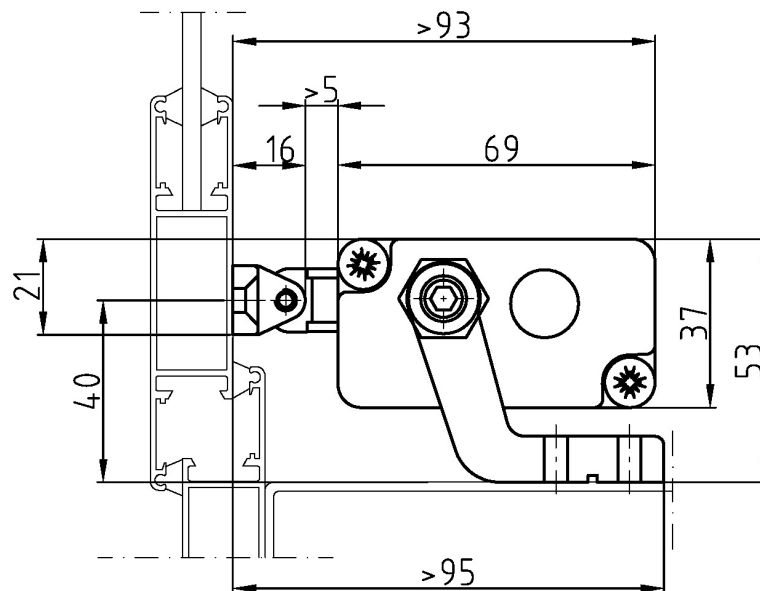
- I** Applicazione su telaio con staffe oscillanti incluse
- GB** On the frame with pivoting brackets included
- F** Sur dormant avec étriers pivotants inclus

TWIN VEGA

ATTUATORE ELETTRICO A CATENA – FORZA 600 N – CORSA 300 mm
ELECTRIC CHAIN ACTUATOR – FORCE 600 N – STROKE 300 mm
BOITIER A CHAÎNE ELECTRIQUE – FORCE 600 N – COURSE 300 mm



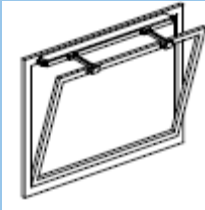
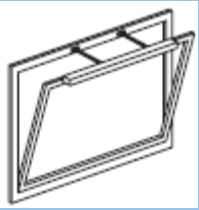
SPORGERE
TOP HINGED WINDOW
CHÂSSIS PROJÉTANT



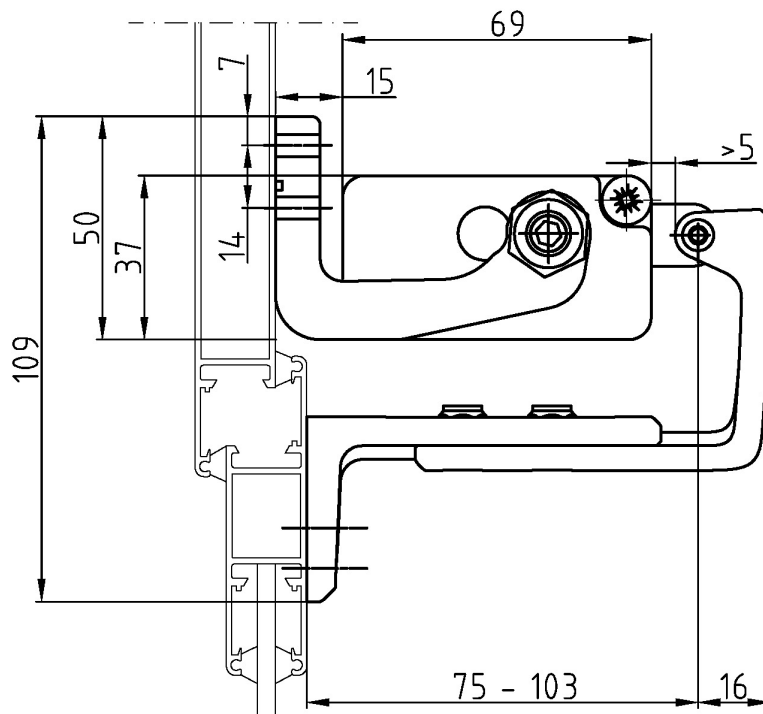
- I** Applicazione su davanzale con staffe oscillanti incluse
- GB** On the windowsill with pivoting brackets included
- F** Sur appui avec étriers pivotants inclus

TWIN VEGA

ATTUATORE ELETTRICO A CATENA – FORZA 600 N – CORSA 300 mm
ELECTRIC CHAIN ACTUATOR – FORCE 600 N – STROKE 300 mm
BOITIER A CHAINE ELECTRIQUE – FORCE 600 N – COURSE 300 mm



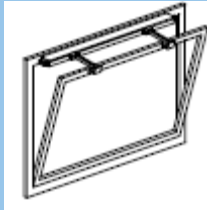
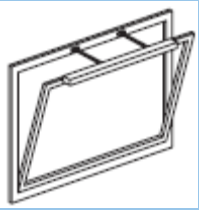
VASISTAS
BOTTOM HINGED WINDOWS
CHÂSSIS SOUFFLET



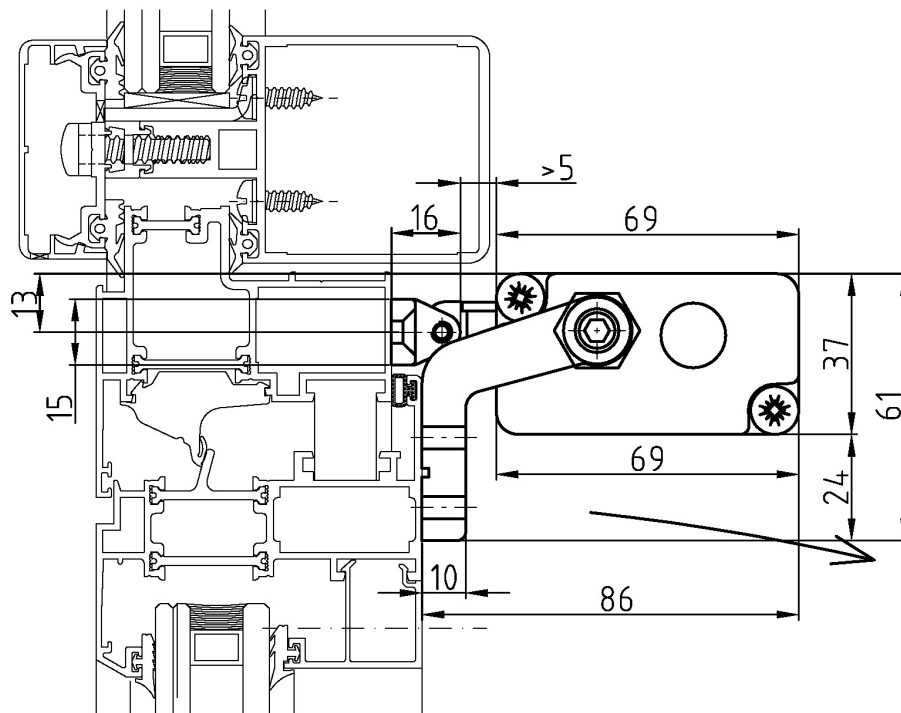
- I** Applicazione su telaio con staffe a vasistas
- GB** On the frame with brackets for bottom hinged windows
- F** Sur dormant avec étriers pour châssis a soufflet

TWIN VEGA

ATTUATORE ELETTRICO A CATENA – FORZA 600 N – CORSA 300 mm
ELECTRIC CHAIN ACTUATOR – FORCE 600 N – STROKE 300 mm
BOITIER A CHAÎNE ELECTRIQUE – FORCE 600 N – COURSE 300 mm



VASISTAS
BOTTOM HINGED WINDOWS
CHÂSSIS SOUFFLET



- I** Applicazione sull'anta con staffe oscillanti incluse
- GB** On the vent with pivoting brackets kit included
- F** Sur volet avec étriers pivotants inclus